

## Faucet Capri Gun Metal

Faucets

Code: 8467 605

Single lever mixer tap with rotating barrel and extractable shower head



### DETAILS

Coloring Gun Metal

---

Texture Polished

---

Finish PVD

---

Material Brass

---

Cartridge With ceramic discs

---

Rotating angle 180°

---

Mixer hole  $\varnothing 1 \frac{3}{8}$ "

---

Max worktop thickness  $1 \frac{49}{64}$ "

---

Mixer type Single lever faucet with rotating barrel and extractable double jet shower

---

**Notes:** Strengthening plate included

---

## FEATURES

**GUN METAL** The Gun Metal finish is obtained by treating steel with a physical process called PVD (Physical Vacuum Deposition) which deposits particles of noble metals on the surface. The result is a unique and refined aesthetic effect, and an improvement of the mechanical properties of the steel which is more resistant to impact and scratches.

---

**Strengthening plate** Foster's mixer taps are equipped with the strengthening plate that offers perfect stability on any sink.

---

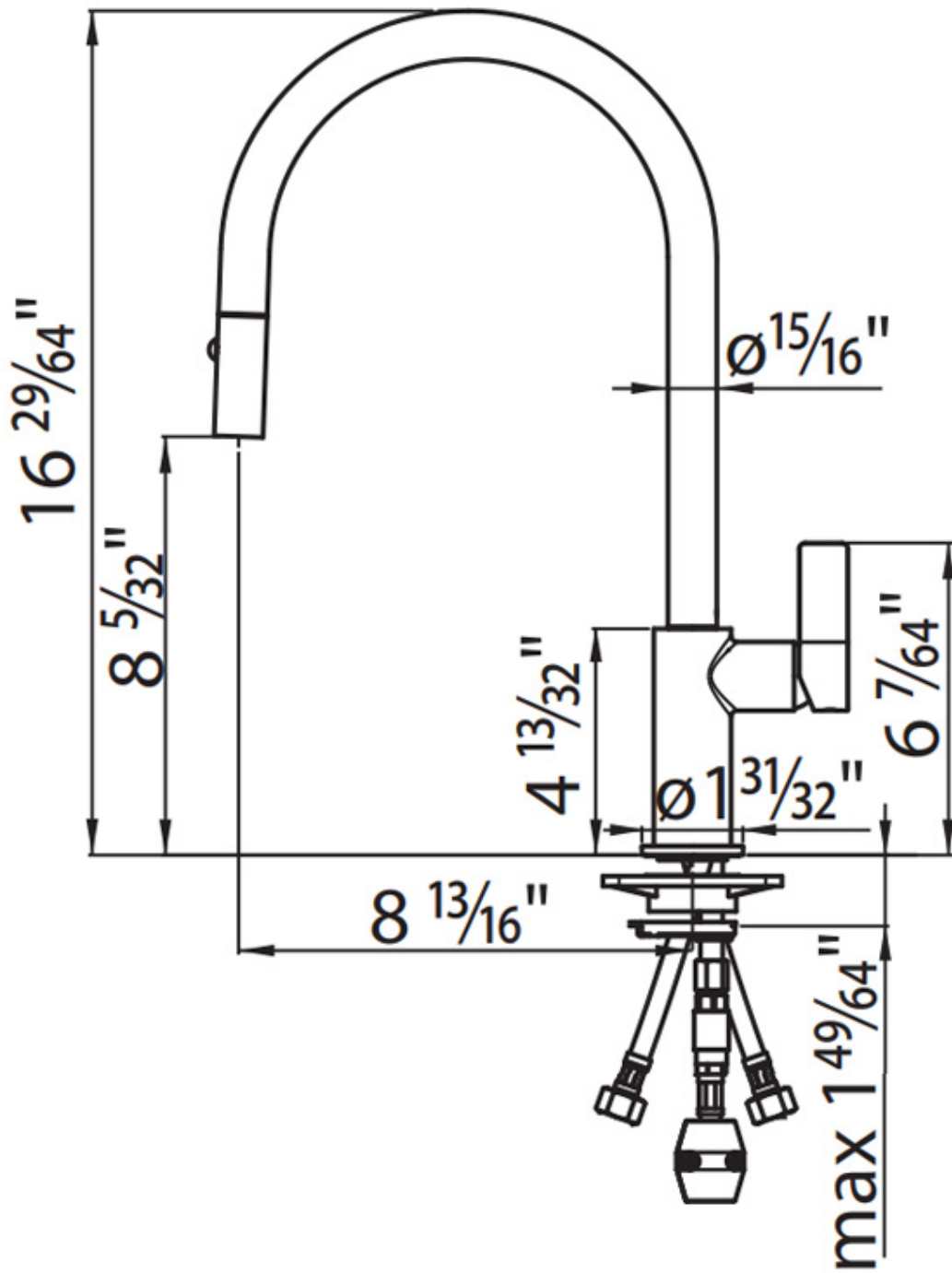
**Rotating angle** All the taps have a wide angle of rotation. Some models even permit a full 360° rotation.

---

**Double jet (flow and rain)** Several models are equipped with a switch to easily change the flow from continuous to shower.

---

## TECHNICAL DATA



## RECOMMENDED PAIRINGS



**Milano Cooktop Gun Metal 5  
burners**

7638 906



**Sink Leonardo Gun Metal 1B 33" -  
UM**

1014 666